

FLQ SERIES MIDGET (10x38mm) FUSES

500 Vac • Time-Delay • 1/10-30 A



Description

The FLQ series 500 Vac time-delay fuses provide excellent supplemental protection of control power transformers, solenoids, and circuits with high inrush currents.

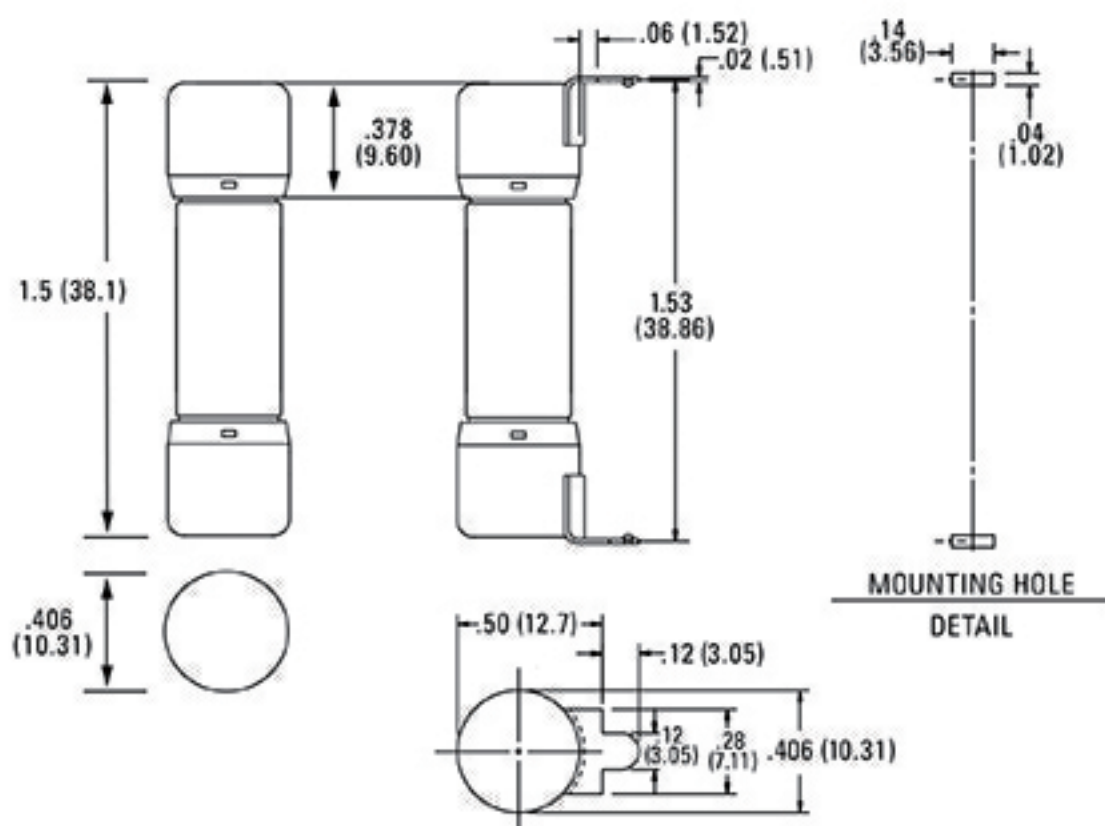
Features/Benefits

- Ideal for 480 Vac systems
- Time-Delay

Applications

- Control power transformers
- Solenoids
- Circuits with high inrush current

Dimensions Inches (mm)



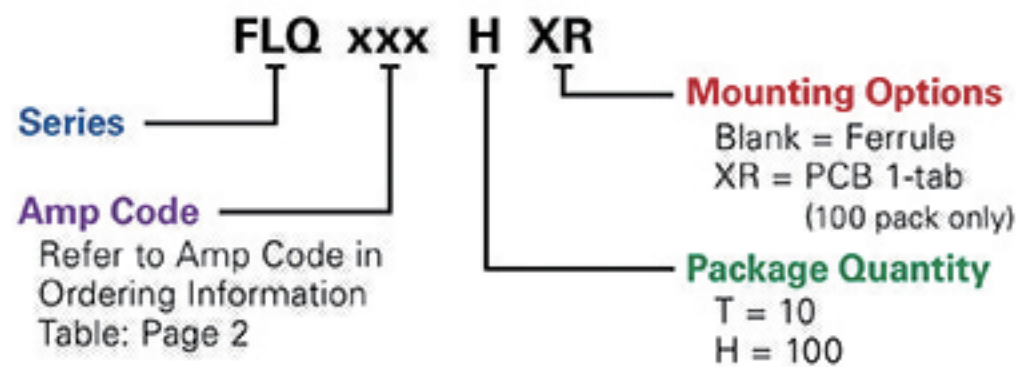
Specifications

Voltage Rating	AC: 500 Vac or less DC: 300 V
Amperage Rating	1/10 – 30 A
Interrupting Rating	AC: 10 kA rms symmetrical DC: 10 kA self-certified
Approvals	AC: UL Listed (File: E10480) CSA Certified (File: LR29862) DC: Littelfuse self-certified
Environmental	RoHS Compliant
Material:	Body: Paper: 1/10A-5A Melamine 5-6/10A-30A Caps: Copper Alloy (Nickel plated)
Country of Origin	Mexico

Ordering Information

AMPERAGE RATINGS						
1/10	3/10	1 1/8	2 1/2	5	9	25
1/8	4/10	1 1/4	3	5 5/10	10	30
15/100	1/2	1 1/2	3 2/10	6	12	—
3/16	6/10	1 5/10	3 1/2	6 1/4	14	—
2/10	8/10	2	4	7	15	—
1/4	1	2 1/4	4 1/2	8	20	—

Part Numbering System



SERIES	AMP	PACKAGE QUANTITY	MOUNTING METHOD	CATALOG NUMBER	ORDERING NUMBER
FLQ	1/10	10	FERRULE	FLQ.100	OFLQ.100T
FLQ	2	100	FERRULE	FLQ005	OFLQ002.H
FLQ	15	100	PCB 1-TAB	FLO015R	OFLQ015.HXR

Note: additional ordering information on page 2

Recommended Fuse Holders

Littelfuse LFPSM Dead-Front Series
Littelfuse L60030M Open-Face Series

Web Resources

Download technical information: littelfuse.com/flq